

CITIZEN CLIMA
AIR CONDITIONING SYSTEMS

↘ CEILING/FLOOR

ENJOYING
YOUR FELICITY LIFE





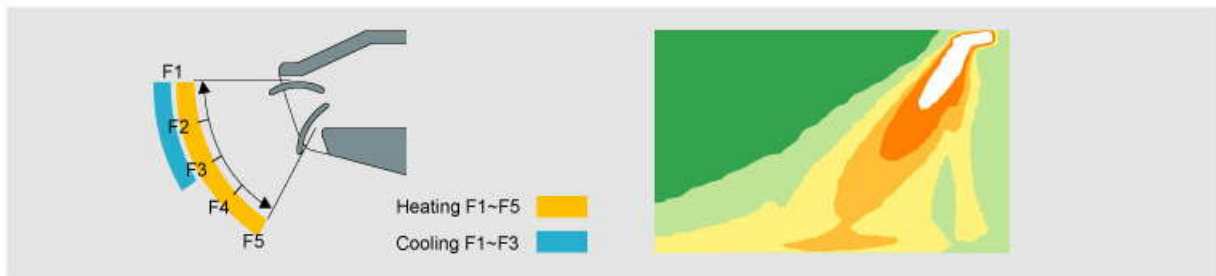
Saving space

The indoor unit can be installed in convertible mode or placed on the floor, thus saving more space. The big room or big hall needs high power air conditioner, the cabinet type air conditioner used before not only takes up space, but also unmatch with other furniture. Deer floor/ceiling type can solve all those problems for you, it can be installed in convertible mode or placed on the floor. It is cool and beautiful, satisfying both sides.



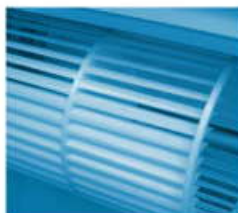
Auto flap function is a standard feature which provide optimum airflow during heating or cooling operation

Angle of flap is automatically set for heating or cooling. For example, when heating with fan speed set to low, the discharge is aimed downward so that warm air reaches the floor. The flap angle can be set to below the horizontal in five steps. An auto sweep function to distribute the airflow over a wide area is also provided. Wind direction is adjusted automatically in both heating and cooling operation. The flap can also be set to swing automatically from F1 to F5 in any operation mode.



Quiet operation

The ceiling/Floor unit is equipped with a highly efficient, multi-blade centrifugal fan that generates a powerful yet gentle airflow throughout the room. A redesigned aerodynamically tested flap structure minimizes operational sound even at high fan speed.



Multi-blade centrifugal fan



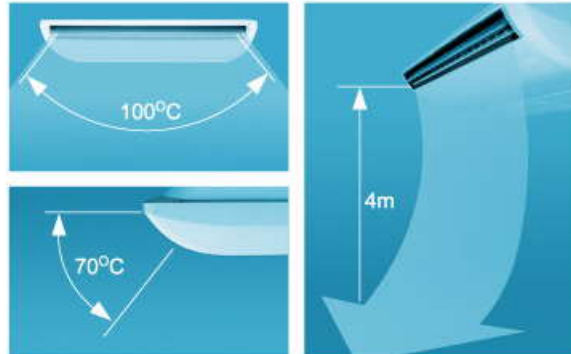
Multi air duct multi fan design

Multi air duct multi fan design

Special multi air duct multi fan system design, making the air output more large, wind force more sufficient and air blowing more even.

Wide angle airflow in three dimension

Deer ceiling/floor type air conditioner can send air flow in wide angle, 70 degree from top to the bottom, 100 degree from left to right. Fan speed can be adjusted according to the ceiling height. (Max. ceiling height is 4m)



long life & high efficiency air purifying filter

By using fine dustproof filter, all smoke particulates are absorbed and your room returns to fresh (static air clearing filter and smell proof filter is optional.); at the same time, the filter can be easily detached and cleaned.

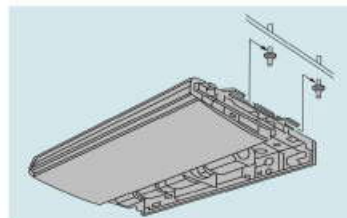


Powerful dehumidification

It not only gets rid of awful damp but also keeps comfortable temp. after the initial cooling, the system provides gentle breeze at low frequency to keep the room dry and comfortable. The unit specially suits high-humidity areas and rainy season or damp weather.

The maintenance space required is smaller

As all the operations of installation and maintenance can be conducted at the bottom of the air conditioner, the maintenance space required by the air conditioner will be smaller, more convenient for maintenance.



Easy to overhang

The indoor unit is light in design, making the whole unit easy to overhang. It has small unit body, easy to install in the common ceiling. Thus making up the shortage of push-in type unit.



CF(R)-35D
CF(R)-50D



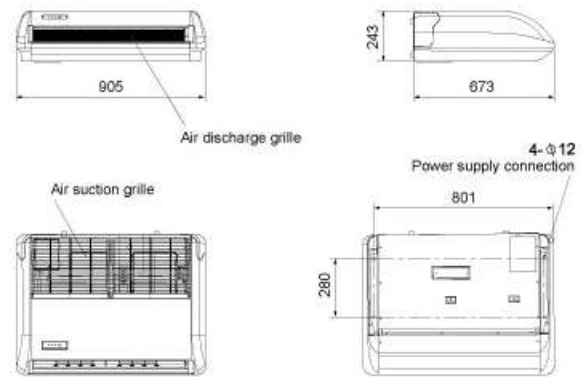
CF(R)-35W



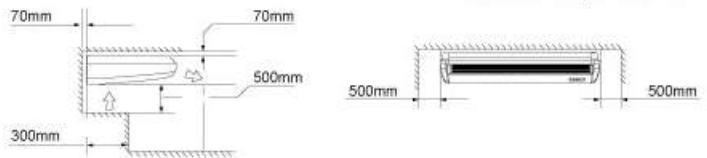
CF(R)-50W

Dimension

Unit: mm



Installation space need



			35DW	50DW
Power supply			220V/50Hz	220V/50Hz
Performance				
Capacity	Cooling	Btu/h	12000	18000
		W	3500	5000
	Heating	Btu/h	13000	19000
		W	3800	5500
Noise	Indoor	dB(A)	<46	<52
	Outdoor	dB(A)	<52	<60
Air circulation		m ³ /h	600	800
Suitable area		m ²	15~20	22~34
Power				
Input power (T1/T3)	Cooling	W	1300 /1350	1920 /2000
	Heating	W	1350 /1400	1920 /2000
Rated Current	Cooling	A	6.0 /6.5	8.8 /9.2
	Heating	A	6.5 /6.8	8.8 /9.2
Dimension				
Indoor unit	Net	mm	905x673x243	905x673x243
	Shipping	mm	995x765x311	995x765x311
Outdoor unit	Net	mm	830x260x520	930x330x600
	Shipping	mm	890x360x590	995x390x650
Weight				
Indoor unit	Net/shipping	Kg	25 / 28	30 / 33
Outdoor unit	Net/shipping	Kg	35 / 40	51 / 50

- The test of those above are stipulated on country's standard pipe's average length: 5m, if over please fill up additional refrigerant.
Cooling: Indoor Circulating Temp: 27°C DB; 19°C WB Outdoor Temp: 35°C DB; 24°C WB
Heating: Indoor Circulating Temp: 20°C DB; Outdoor Temp: 7°C DB; 6°C DB
- All above data refer to the refrigerant R22 condition. The above specifications are for reference only. Detailed information may be obtained through inquiries to the dealers. The specifications are subject to change without notice. This information has been carefully verified for accuracy and precision. This Co. shall not be liable for consequences caused by the possible errors in printing process.



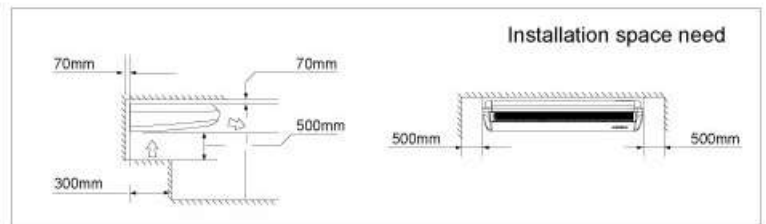
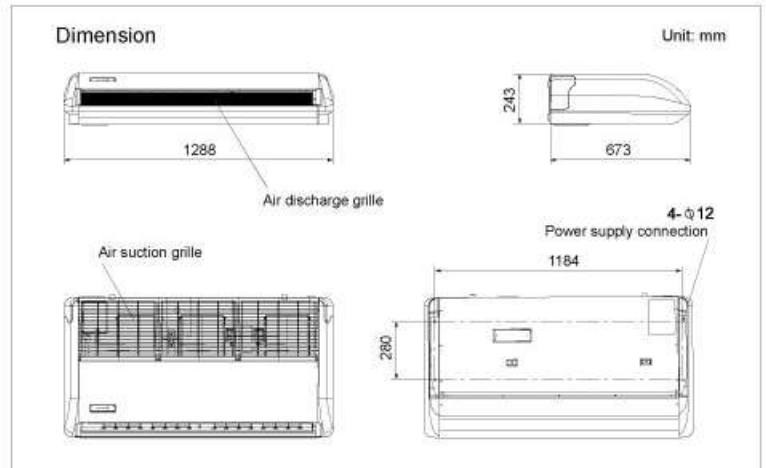
CF(R)-70D
CF(R)-100D



CF(R)-70W



CF(R)-100W



			70DW	100DW
Power supply			220V/50Hz	220V/50Hz
Performance				
Capacity	Cooling	Btu/h	24000	36000
		W	7000	10000
	Heating	Btu/h	24000	36000
		W	7700	11000
Noise	Indoor	dB(A)	<52	<52
	Outdoor	dB(A)	<60	<60
Air circulation		m ³ /h	1200	1200
Suitable area		m ²	32~50	35~60
Power				
Input power (T1 / T3)	Cooling	W	2600 /2800	3800 /4000
	Heating	W	2600 /2800	3900 /4000
Rated Current	Cooling	A	12.3 /13.5	6.5 /7.0
	Heating	A	12.3 /13.5	6.7 /7.0
Dimension				
Indoor unit	Net	mm	1288x673x243	1288x673x243
	Shipping	mm	1375x765x311	1375x765x311
Outdoor unit	Net	mm	930x330x730	985x355x1030
	Shipping	mm	1025x395x890	1105x435x1120
Weight				
Indoor unit	Net/shipping	Kg	40 / 43	40 / 43
	Outdoor unit	Net/shipping	Kg	61 / 66

- The test of those above are stipulated on country's standard pipe's average length: 5m, if over please fill up additional refrigerant.
Cooling: Indoor Circulating Temp: 27°C DB; 19°C WB Outdoor Temp: 35°C DB; 24°C WB
Heating: Indoor Circulating Temp: 20°C DB; Outdoor Temp: 7°C DB; 6°C DB
- All above data refer to the refrigerant R22 condition. The above specifications are for reference only. Detailed information may be obtained through inquiries to the dealers. The specifications are subject to change without notice. This information has been carefully verified for accuracy and precision. This Co. shall not be liable for consequences caused by the possible errors in printing process.



Ceiling/Floor Type Air Conditioner

CITIZEN CLIMA
AIR CONDITIONING SYSTEMS



CF(R)-120D
CF(R)-140D
CF(R)-170D



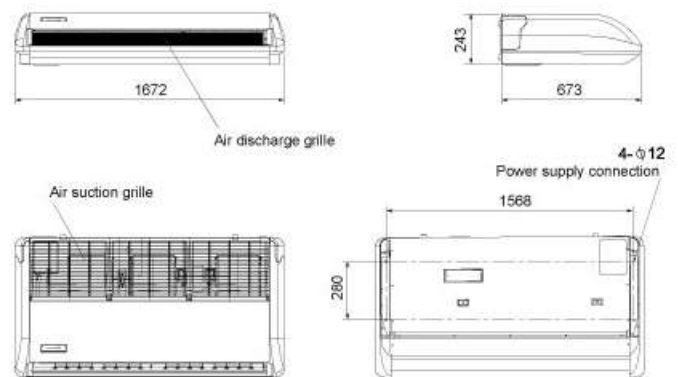
CF(R)-120W
CF(R)-140W



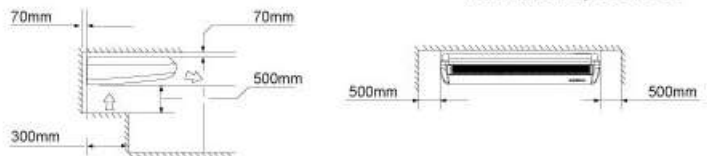
CF(R)-170W

Dimension

Unit: mm



Installation space need



			120DW	140DW	170DW
Power supply			380V/50Hz	380V/50Hz	380V/50Hz
Performance					
Capacity	Cooling	Btu/h	41000	48000	60000
		W	12000	14000	17000
	Heating	Btu/h	44000	52000	61500
		W	13000	15000	18000
Noise	Indoor	dB(A)	<55	<56	<58
	Outdoor	dB(A)	<65	<66	<66
Air circulation		m ³ /h	1900	1900	2300
Suitable area		m ²	60~90	70~100	70~100
Power					
Input power (T1 / T3)	Cooling	W	4300 /4800	4800 /5500	6800 /7000
	Heating	W	4500 /4800	4800 /5500	6900 /7000
Rated Current	Cooling	A	7.5 /8.5	8.8 /9.2	9.0 /10.5
	Heating	A	7.8 /8.5	8.8 /9.2	9.5 /10.5
Dimension					
Indoor unit	Net	mm	1672x673x243	1672x673x243	1672x673x243
	Shipping	mm	1760x765x311	1760x765x311	1760x765x311
Outdoor unit	Net	mm	960x360x1300	960x360x1300	889x760x1100
	Shipping	mm	1080x440x1490	1080x440x1490	900x770x1100
Weight					
Indoor unit	Net/shipping	Kg	45 / 49	45 / 49	45 / 49
Outdoor unit	Net/shipping	Kg	122 / 127	122 / 127	107 / 112

- The test of those above are stipulated on country's standard pipe's average length: 5m, if over please fill up additional refrigerant.
Cooling: Indoor Circulating Temp: 27°C DB; 19°C WB Outdoor Temp: 35°C DB; 24°C WB
Heating: Indoor Circulating Temp: 20°C DB; Outdoor Temp: 7°C DB; 6°C DB
- All above data refer to the refrigerant R22 condition. The above specifications are for reference only. Detailed information may be obtained through inquiries to the dealers. The specifications are subject to change without notice. This information has been carefully verified for accuracy and precision. This Co. shall not be liable for consequences caused by the possible errors in printing process.